

SOLA

DESIGN ANTTI KOTILAINEN

Inspiring
spaces

Martela



Product code number:

377RGND = low backrest, swivel base with castors and height adjustment, fully upholstered, without armrests, tilt mechanism

378RGND (V) = low backrest, swivel base with castors and height adjustment, fully upholstered, with open armrests, tilt mechanism

377RGNKD (H) = high backrest, swivel base with castors and height adjustment, fully upholstered, without armrests, tilt mechanism

378RGNKD (V/H) = high backrest, swivel base with castors and height adjustment, fully upholstered, with open armrests, tilt mechanism

V = upholstered armrests

H = headrest

Fabric consumption:

Low backrest 0.9 m, high backrest 1.1 m.

Upholstered armrests 0.8 m, headrest 0.4 m.

Material description:

Upholstery: fully upholstered.

Base and armrests: white, black, chrome or Inspiring Colours.

Armrests: black plastic or upholstered.

Castors for hard floor.

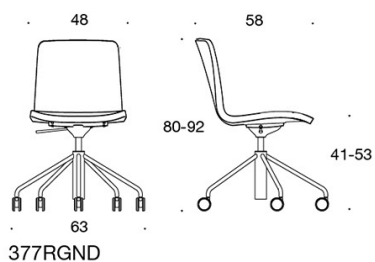
Headrest.

SOLA

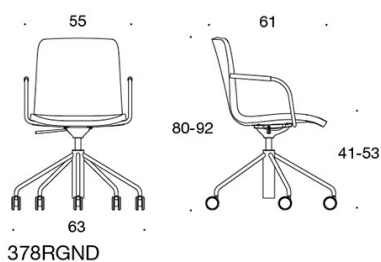
DESIGN ANTTI KOTILAINEN

Inspiring
spaces

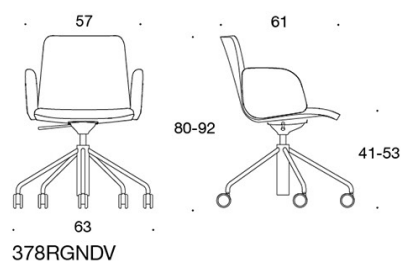
Martela



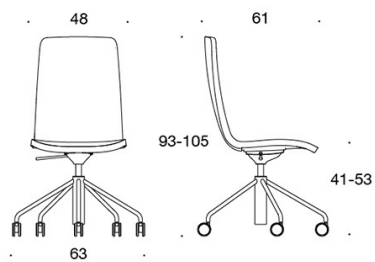
377RGND



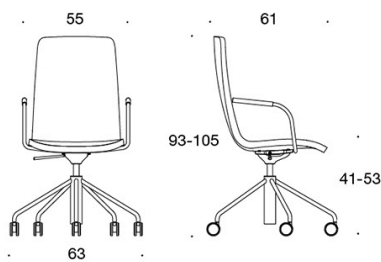
378RGND



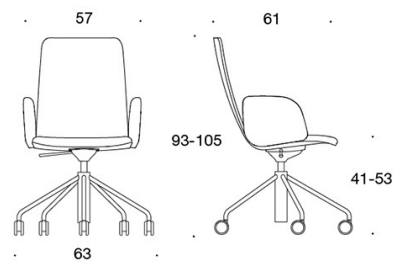
378RGNDV



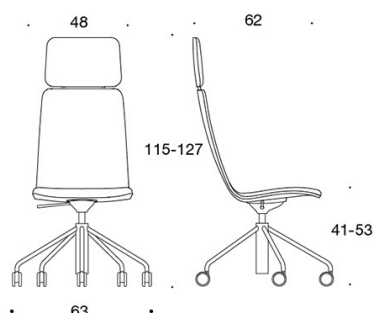
377RGNKD



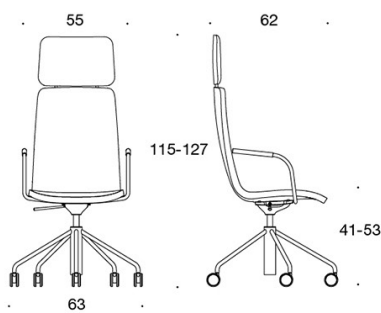
378RGNKD



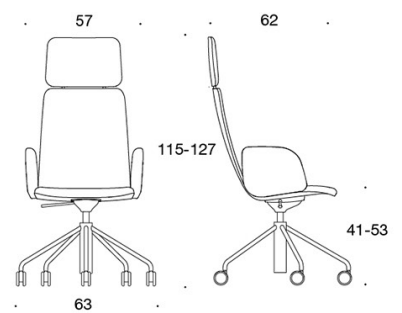
378RGNKDV



378RGNKDH



378RGNKDH



378RGNKDVH